



TC-26E6

Product Information

Table of Contents

Technical description and specifications	2
Delivery, warranty, delivery time and transport	3
The possibilities and safety instructions	4
Contact data and CE certification	5



TyreON TC-26E6 tyre changer with pneumatic rear tilting column. Changing tires up to 26 Inch and a max. width of 40,6 cm

TC-26E6 tyre changer - for tires up to 26 Inch and a max. width of 40,6 cm. With pneumatic rear tilting column and 3-function assist arm.

The TC-26E6 is a fully automatic tyre changer with a controlled rear tilting column that can be moved back- and forwards to enable more faster work. The mounting head can be locked in any position. It is equipped with an air hose with air gun to inflate all types of tires.

This professional tyre changer is complete with an additional 3 function assist arm which is also referred to as a helper arm. The pneumatically controlled assist arm is equipped with a disk, a bead roller and a centring tool enabling to easily change large, run flat, low-profile and tires with very stiff side walls.

HEAVY DUTY - Professional and all-round production machine, suitable for all types of tube and tubeless tires, large tires, run flat tires and aluminium rims of:

- Medium size trucks
- Light commercial vehicles and vans
- SUV and passenger cars
- Motorcycles and mopeds
- Trailers

Fully Automatic - TyreON TC-26E6 in a glance

- High, wide, large machine with numerous possibilities for all garages and tire services
- With foot controlled pneumatic rear tilting column saving you set up time
- The mounting head can be locked at any position with a push-button
- Large 26 Inch turntable with power full E-engine, turning left and right
- Turntable with 4 clamping jaws of hardened steel
- Pneumatically controlled assist arm equipped with a disk, a bead roller and a centring tool
- Capable of changing motorcycle tires with additional adaptors (sold separately)
- Large Bead breaker with 2500 Kg breaker force
- The bead breaker can be positioned horizontal and vertical, which is convenient for low profile tires for example
- 4 pedals of hardened steel to operate the rear column, the turntable, the clamping arms and the bead breaker
- Reliable and very solid machine, manufactured according to ISO 9001 with CE certificate
- Pre-assembled for 95%, easy self-install, Plug-and-Go!

Technical details

For tires with rim size (diameter)	12 - 26	Inch	A	Dimension of the rim
Clamping capacity of the chuck	12 - 23	Inch		Inside dimension
Clamping capacity of the chuck	14 - 26	Inch		Outside dimension
Maximum width of the wheel	40,6	Cm	C	(16 Inch)
Maximum diameter of the wheel	117	Cm	D	(46 Inch)
Engine power (turntable)	0,75	Kw	E	
Speed turntable	6	rpm	E	Right and left
Bead breaker force	2500	Kg	F	
Operating pressure	8 - 10	Bar		

Other information

Voltage (3-phase)	400	Volt		
Phases	3	Phases		
Frequency	50	Hz		
Fuse	10 (minimum)	Ampère		
Low noise	<= 70	dB		
Weight (approx.)	228	Kg		
Required surface area	80 x 50	Cm		Length x width



Delivery includes

- TyreON TC-26E6 tyrechanger with rear tilting column, motorized turntable with 4 clamping jaws and control pedals of hardened steel
- 3-function pneumatically controlled assist arm equipped with a disk, a bead roller and a centring tool
- Air gun with pressure gauge and air hose
- Air connection with barometer pre-filter and oil lubricator
- Tire lever and plastic inserts for metal mounting head (aluminium rims)
- Installation and operation manual
- CE certificate and technical drawing with part numbers
- Packed in strong wooden crate on pallet, 256 Kg, dimensions 113 x 90 x 108 cm. (LxWxH)
- Assist arm crated 75 kg en 123 x 46 x 36 (LxBxH/cm)
- The machine itself is equipped with floor anchoring holes

Warranty, delivery time and transport

- 1 year warranty on parts. In the event of a defective part TyreON will exchange it for free for a new one (Fully parts-support for 1 year)
- Destined for sale in the European market, we carry large stock, also of parts and accessories
- Everything is always in stock. We guarantee immediate supply from own stock
- Fast delivery by road-transport across Europe at surprisingly low rates
- You can also pick up by yourself. Also Cash and Carry. Our distribution centre is located only 20 minutes from Amsterdam!
- Visit our website for more information – www.trucktyrechangershop.com or www.tyreon.eu



TyreON

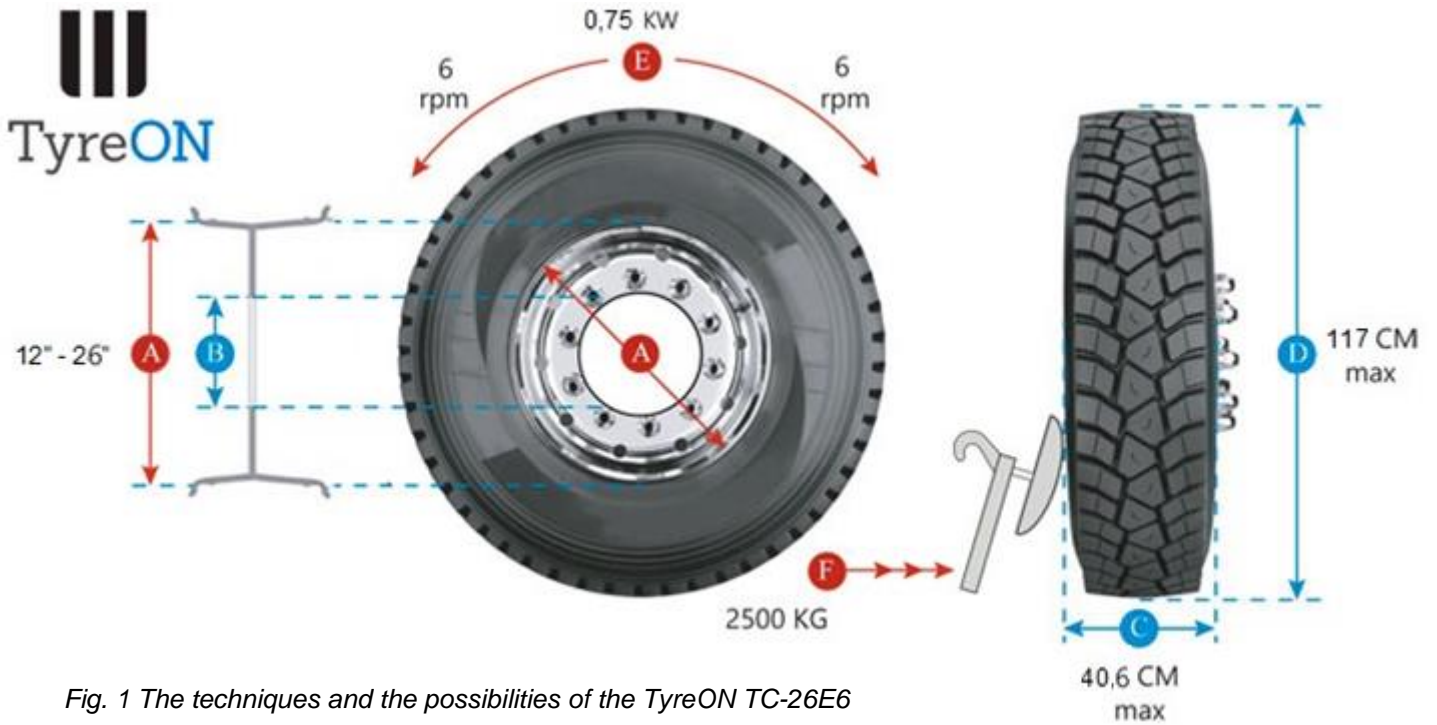
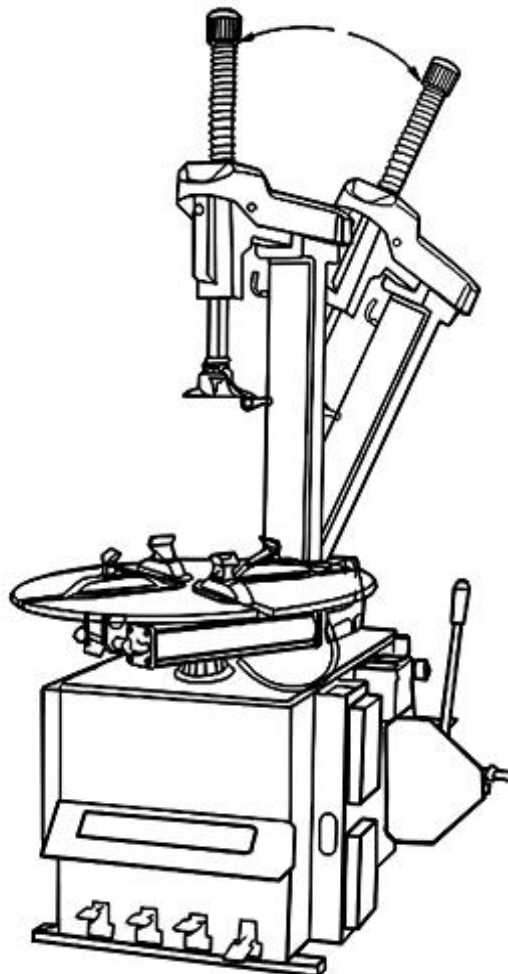


Fig. 1 The techniques and the possibilities of the TyreON TC-26E6



- 01 Do not put your hands under the mounting head while working
- 02 Do not put your hands between the clamping arms while working
- 03 Do not put your hands inside of the tire bead during tire demounting
- 04 Check your power supply regularly
- 05 Do not put your feet between the bead breaker and the machine

Fig. 2 Safety instructions for the TyreON TC-26E6



Contact data

Address

Molenlei 2 j+k
1921 CZ Akersloot
The Netherlands (EU)

Postal address

Boekel 31 c
1921 CE Akersloot
The Netherlands (EU)

Contact

Phone +31 (0)72 5401001
Fax +31 (0)72 5401002
E-mail info@tyreon.eu

Contact

Peter Smit - Sales
Mobile +31 (0)6 5370 1658

Sites

www.bandenwisselaarshop.nl
www.desmontadoradeneumaticos.es
www.lkw-reifenmontiermaschinen-shop.de
www.machinedemontepneushop.fr
www.trucktyrechangershop.com

CE Certificate



European Distributer:

*Smit & Smit International BV
Molenlei 2 (j + k)
1921 CZ Akersloot
The Netherlands, EU*

EC DECLARATION OF CONFORMITY

Smit & Smit International BV declares that the machine:

* Trademark	TyreON
* Model	Vertical Tyre Changer TC-26E6
* Manufacture year	2015

IS COMPLIANT

To the following directive: -Machinery Directive 2006/42/EC

and is also compliant to the following applicable standards:
-EN 60204-1: 2006+A1: 2009
-Electrical equipment of Industrial machines

Surname	Smit
Name	Christian
Position	Director

Akersloot, February 19th, 2015

Signature

