



TB120

Product information

Table of Contents

Technical description and specifications	2
Delivery, warranty, delivery time and transport	3
The possibilities and the automated movements	4
Contact data and CE certification	5



TB120 Tyres and wheels balancer for large wheels up to 150 Kg, diameter till 120 Cm

ALL ROUND Truck wheel-balancer for large wheels of

- Trucks and tractor units
- Trailers
- City buses and coaches
- Heavy and light commercial vehicles
- SUV, passenger cars and motorcycles

Semi Automatic - TyreON TB120

- Quick, easy and very accurate
- With pneumatic wheel lift for easy mounting of heavy wheels
- With foot pedal for precise wheel position applying wheel lead
- Large double LED display and a choice of balancing programs
- Dynamic and static alloy programs as standard, also for aluminium rims
- For rims with large bore diameters (axle -hole), standard up to 285 mm
- Manufactured in thick steel and reinforced floor base plate for stability
- Reliable powerful machine, manufactured according to ISO 9001 with CE certificate
- Easy self-install, ready-to-use upon purchase, Plug-and-Go!

Technical details

For large tires with rim size	13 - 24	Inch	A	Outside dimension of the rim
Maximum width of the wheel or rim	5.5 - 20	Inch	B	
Maximum width of the wheel or rim	14 - 51	Cm	B	
Maximum diameter of the wheel	120	Cm	C	
Maximum weight of the wheel	150	Kg		

Electric drive

Engine-power for the rotation	0.4 - 0.6	Kw
Rotation speed	200	rpm

Performance

Testing time	8	Sec
Required air pressure for the pneumatic lift	6 - 8	Bar
Balancing precision	5	Gr

Other information

Voltage*	400 - 230	Volts	* Other Voltages can be supplied upon request
Phases*	3	Phase	* Single Phase can be supplied upon request (1 Phase)
Frequency*	50	Hz	* 60 Hz can be supplied upon request
Fuse	10	Amp	
Low noise	<= 70	dB	
Weight (approx.)	295	Kg	
Required surface area	2010 x 820	mm	Length x Width



Delivery includes

- TyreON TB120 large wheel-balancer with main switch
- Comes with protection-hood and pneumatic wheel-lift
- Main-axis of 40 mm with universal standard flange of 40-285 mm
- Comprehensive set of centring cones and a calliper
- Plier and standard weights
- Complete quick release nut and a set of wrenches
- Installation and operation manual
- CE certificate and technical drawing with part numbers
- Packed in wooden crate on pallet, 320 Kg, dimensions 1250 x 960 x 1100 (LxWxH/mm)

Warranty, delivery time and transport

- 1 year warranty on parts. In the event of a defective part TyreON will exchange it for free for a new one (Fully parts-support for 1 year)
- Destined for sale in the European market, we carry large stock, also of parts and accessories
- Everything is always in stock . We guarantee immediate supply from own stock.
- Fast delivery by road-transport across Europe at surprisingly low rates
- You can also pick up by yourself. Also Cash and Carry. Our distribution centre is located only 20 minutes from Amsterdam!
- Visit our website for more information - www.trucktyrechangershop.com or www.tyreon.eu



Fig. 1 The techniques and possibilities of the TyreON TB120

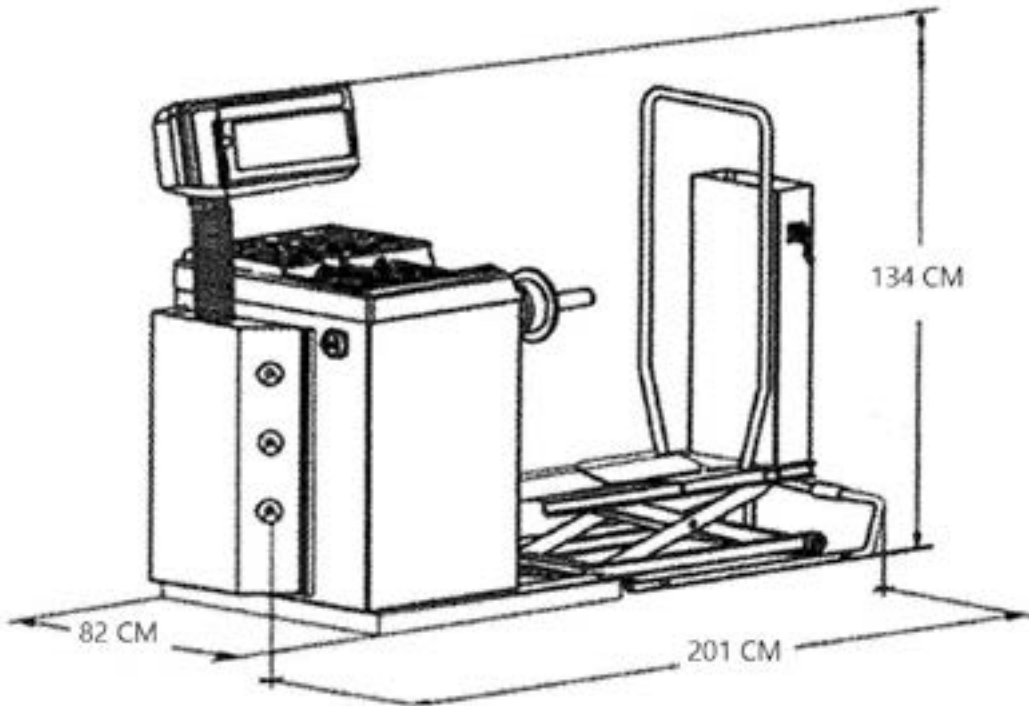


Fig. 2 Required surface area of the TyreON TB120

Contact data and CE certification



Contact data

Address

Molenlei 2 j+k
1921 CZ Akersloot
The Netherlands (EU)

Postal address

Boekel 31 c
1921 CE Akersloot
The Netherlands (EU)

Contact

Phone +31 (0)72 5401001
Fax +31 (0)72 5401002
E-mail info@tyreon.eu

Contact

Peter Smit - Sales
Mobile + 31 (0)6 53701658

Sites

www.bandenwisselaarshop.nl
www.desmontadoradeneumaticos.es
www.lkw-reifenmontiermaschinen.de
www.machinedemontepneushop.fr
www.trucktyrechangershop.com

CE Certification



European Distributer:

*Smit & Smit International BV
Molenlei 2 (j + k)
1921 CZ Akersloot
The Netherlands, EU*

EC DECLARATION OF CONFORMITY

Smit & Smit International BV declares that the machine:

* Trademark	TyreON
* Model	Large Wheel Balancer TB120
* Manufacture year	2013

IS COMPLIANT

To the following directive: -Machinery Directive 2006/42/EC

and is also compliant to the following applicable standards:
-EN 60204-1: 2006+A1: 2009 Safety of machinery
-Electrical equipment of machines
-Part 1: General requirements

Surname	Smit
Name	Christian
Position	Director

Akersloot, August 8th, 2013

Signature

