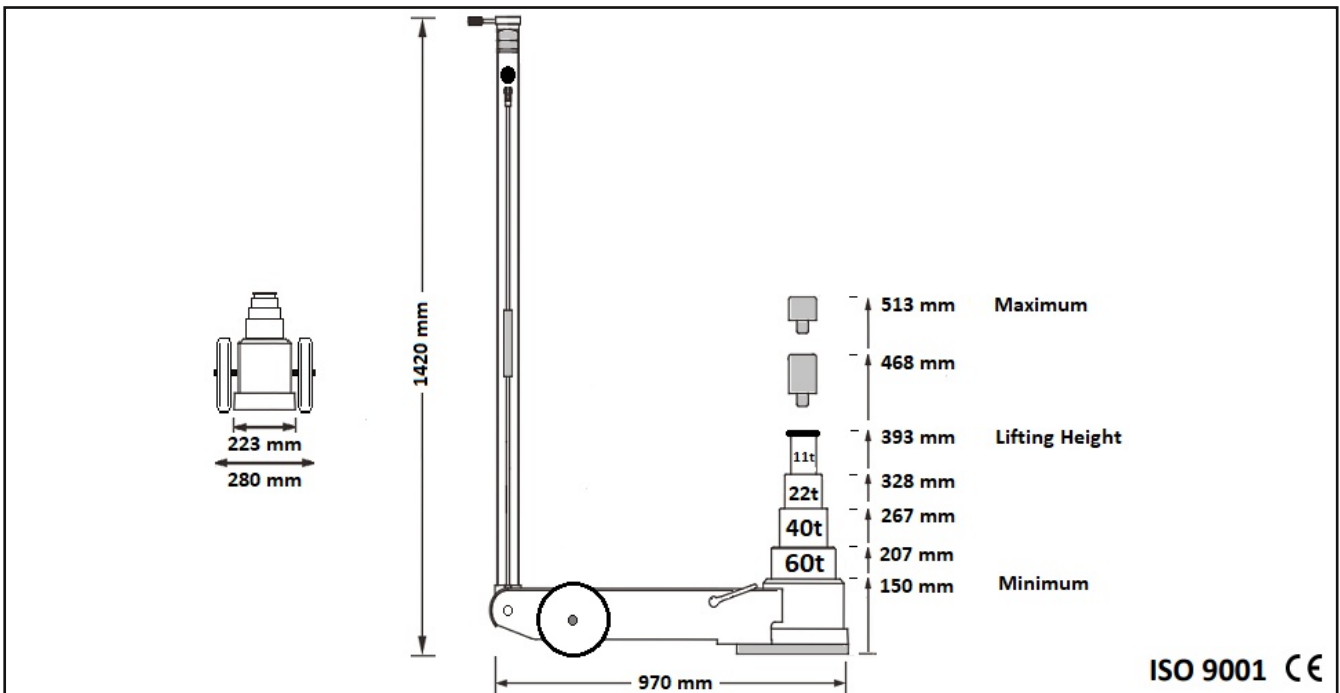




- Heavy duty applications
- Slow down valve
- Internal & external hard chrome plated cylinders
- Cylinders with double sealings
- CE certified
- Overload valve
- Hold-to-run joystick
- Circulation of oil



Model	Capacity	Air pressure	Min. height	Max. height	Lifting height	Extension height	Weight
TPH60T-4	60T-30T-22T-11T	9 - 12 bar	150 mm	513 mm	60T: 57 mm 30T: 60 mm 22T: 61 mm 11T: 65 mm	75 mm + 45 mm	67 kg